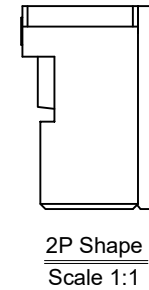
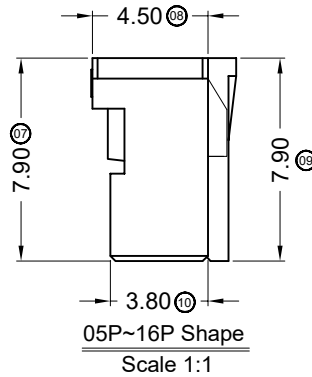
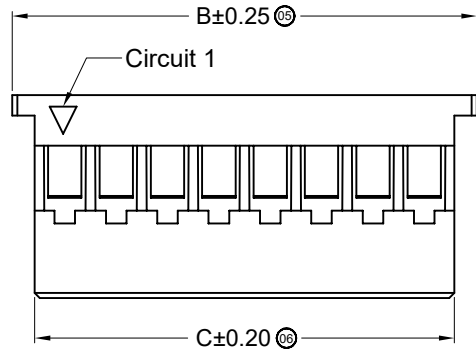
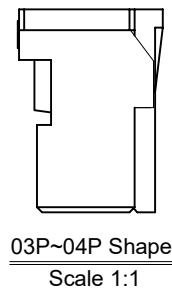
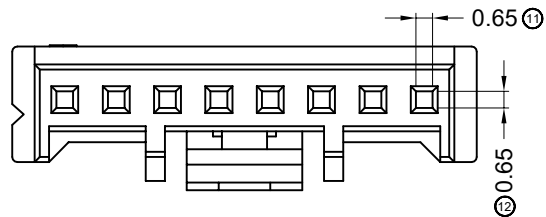


■ Specifications :

- Voltage rating: 250V AC / DC
- Current rating: 3A AC / DC
- Withstanding voltage: 800V AC/minute
- Temperature range: -40°C~+105°C
- Insulation resistance: ≥1000 MΩ
- Contact resistance: ≤10 mΩ
- After environmental testing: ≤20 mΩ
- Suitable HLB Terminal: J2005T
- Suitable HLB Wafer: J2005W



- ① Series No.: J2005H
- ② Appearance type: Ordinary
- ③ Row No.-Pin No.: 02P~16P
- ④ Plug the Pin & Special No.: Ordinary
- ⑤ Material : PA66 94V-0
- ⑥ Blank-Ordinary ; Halogen Free
- ⑦ Blank-Natural ; Black; Red



Poles	Dimensions (mm)			Poles	Dimensions (mm)		
	A	B	C		A	B	C
02	2.00	6.10	4.34	10	18.00	22.10	20.34
03	4.00	8.10	6.34	11	20.00	24.10	22.34
04	6.00	10.10	8.34	12	22.00	26.10	24.34
05	8.00	12.10	10.34	13	24.00	28.10	26.34
06	10.00	14.10	12.34	14	26.00	30.10	28.34
07	12.00	16.10	14.34	15	28.00	32.10	30.34
08	14.00	18.10	16.34	16	30.00	34.10	32.34
09	16.00	20.10	18.34				

2019/02/23	I	J	EN20190223001	Add Poles to different appearance diagrams	Alan qin	Smark	GENERAL TOLERANCE X ±0.30 .XX ±0.20 .XXX ±0.10	东莞市翰皓精密电子有限公司 Dongguan HanHao Precision Electronics Co.,Ltd				PART NO. J2005H-XX			
2018/10/06	H	I	EN20181006003	Add Black specification	Alan qin	Smark						TITLE 2.00mm Crimp Style Connector			
2015/06/02	G	H		Tongue lengthened	Joshua	Jova Lau		APPROVAL	CHECK	DRAWN	DATA	UNIT mm	SCALE 1:1	NUMBER A-022	REV J
DATE	OLD REV	NEW REV	ECN	DESCRIPTION	CHECK	APPROVAL	PROJECT	Smark	Alan	Wuxiaotao	2014/05/04				

1 2 3 4 5 6 7 8

1 2 3 4 5 6 7 8

F

E

D

C

B

F

E

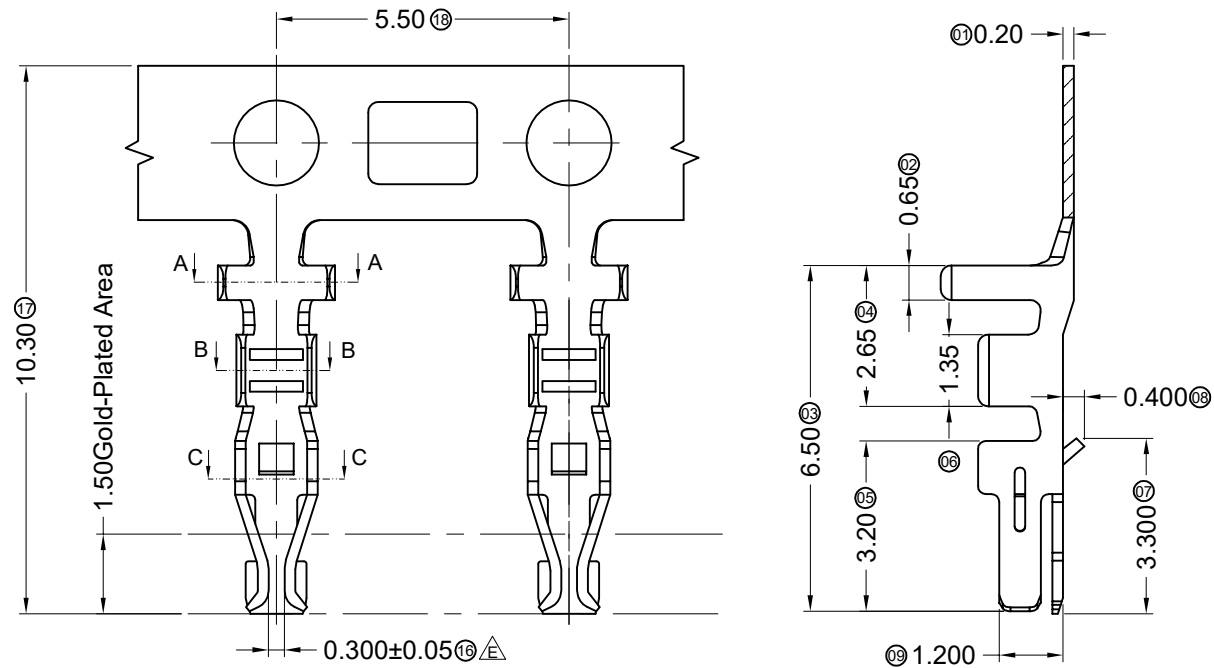
D

C

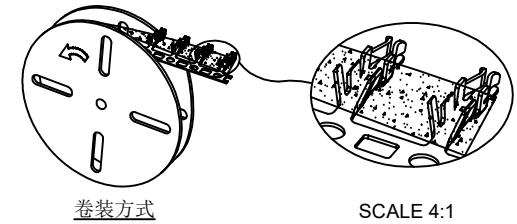
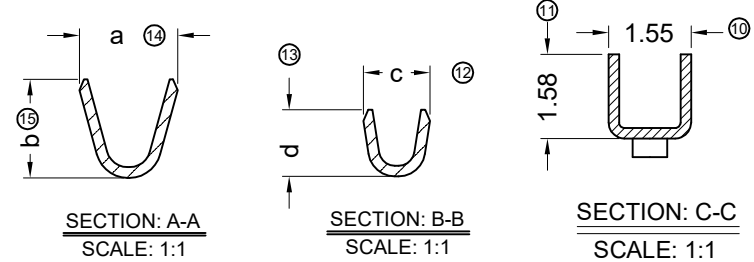
B

■ Specifications :

- Voltage rating: 250V AC / DC
- Current rating: 3A AC / DC
- Withstanding voltage: 800V AC/minute
- Temperature range: -40°C~+105°C
- Insulation resistance: ≥1000MΩ
- Contact resistance: ≤10mΩ
- After environmental testing: ≤20mΩ
- Used In HLB Housing: J2005H



- ① Series No.: J2005T
- ② Appearance type:
- ③ Ordinary; High feet; Low feet
- ④ Material: Phosphor bronze
- ⑤ Plating Style: Contact Gold 1u"
Contact Gold 3u"
Bright Tin Plating
- ⑥ Plating Method : Stamping before Plating
Mold No./Mark/Special No.



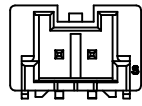
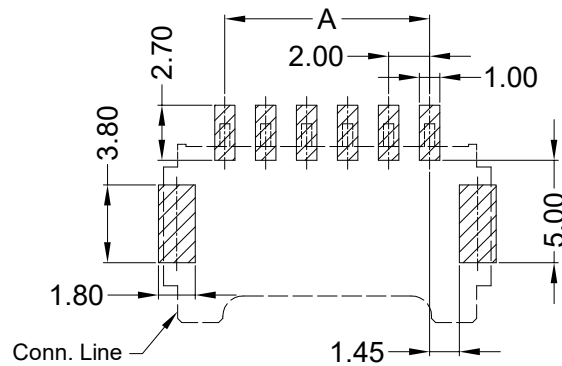
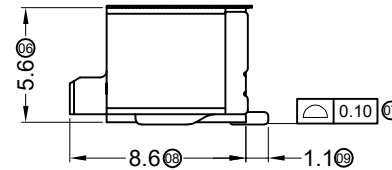
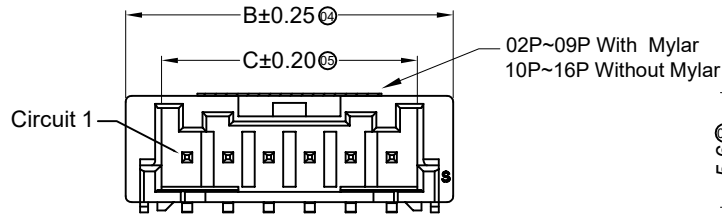
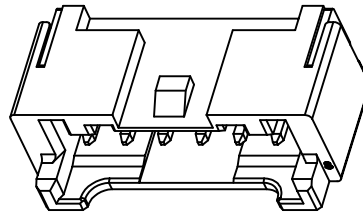
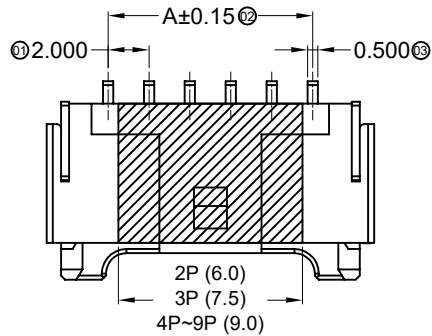
J2005TH		AWG#20-24 (0.5-0.22mm ²)	1.50mm(Max)	2.20	2.50	1.80	1.80
J2005T	Phosphor bronze	AWG#22-26 (0.35-0.13mm ²)	1.50mm(Max)	2.20	2.50	1.50	1.60
J2005TL		AWG#28-32	1.00mm(Max)	1.85	1.85	1.25	1.25
	P/N Material	Wire Size	Insulation O.D	DIM a	DIM b	DIM c	DIM d

2016/11/18	D	E	ER20161118001	Modify the grip size Δ	sylvia	Jacky	GENERAL TOLERANCE X ± 0.30 .XX ± 0.20 .XXX ± 0.10	东莞市翰皓精密电子有限公司 Dongguan HanHao Precision Electronics Co.,Ltd	PART NO. J2005TX			
2015/04/24	C	D		Modify the drawing frame format	sylvia	Jova Lau			TITLE 2.00mm Crimp Style Connectors			
2014/05/05	B	C		Modify the drawing frame format	sylvia	Jova Lau			APPROVAL Smark	CHECK Joshua	DRAWN Jacky	DATA 2014/05/05
DATE	OLD REV	NEW REV	ECN	DESCRIPTION	CHECK	APPROVAL	PROJECT		UNIT MM	SCALE 1:1	NUMBER A-014	REV E

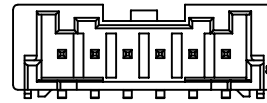
1 2 3 4 5 6 7 8

A

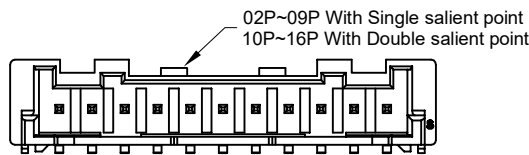
A



2P-4P
SCALE 1:0.8



5P-9P
SCALE 1:0.8



10P-16P
SCALE 1:0.8

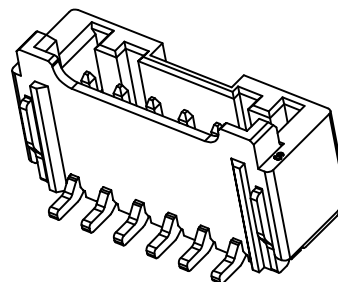
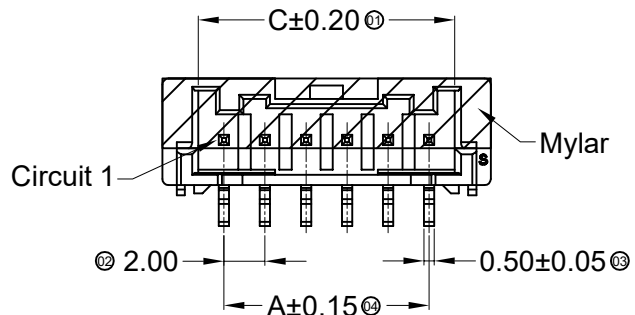
Specifications :

- Voltage rating: 250V AC / DC
- Current rating: 3A AC / DC
- Withstanding voltage: 800V AC/minute
- Temperature range: -40°C~+105°C
- Insulation resistance: ≥1000MΩ
- Contact resistance: ≤10mΩ
- After environmental testing : ≤20mΩ
- Material(Pin) : Brass
- Material(Solder Tabs) : Brass
- Mates With HLB Housing : J2005H

- ① Series No.: J2005W
- ② Welding Board Angle: Right Angle 90°
- ③ Welding Way: SMT
- ④ Row No.-Pin No.: 02P~16P
- ⑤ Plug the Pin & Special No.
- ⑥ Material: PA9T 94V-0; LCP 94V-0
- ⑦ Plating Category: Matte Tin
- ⑧ Color : Natural Color ; Black Color
- ⚠ ⑨ Package: Reel ,With Mylar
Reel ,Without Mylar

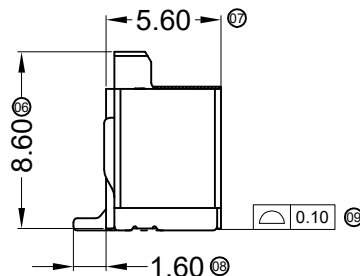
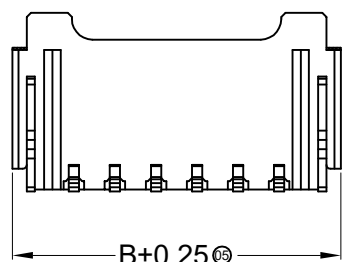
Poles	Dimensions (mm)			Poles	Dimensions (mm)		
	A	B	C		A	B	C
02	2.00	8.00	4.50	10	18.00	24.00	20.50
03	4.00	10.00	6.50	11	20.00	26.00	22.50
04	6.00	12.00	8.50	12	22.00	28.00	24.50
05	8.00	14.00	10.50	13	24.00	30.00	26.50
06	10.00	16.00	12.50	14	26.00	32.00	28.50
07	12.00	18.00	14.50	15	28.00	34.00	30.50
08	14.00	20.00	16.50	16	30.00	36.00	32.50
09	16.00	22.00	18.50				

							东莞市翰皓精密电子有限公司 Dongguan HanHao Precision Electronics Co.,Ltd				PART NO. J2005WRS-XX			
							APPROVAL				TITLE 2.00mm Crimp Style Connector			
							CHECK				UNIT			
							DRAWN				SCALE			
							DATA				NUMBER			
							PROJECT				REV			
DATE	OLD REV	NEW REV	ECN	DESCRIPTION	CHECK	APPROVAL	Smark	Joshua	Alan qin	2014/05/05	mm	1:1	A-000	K

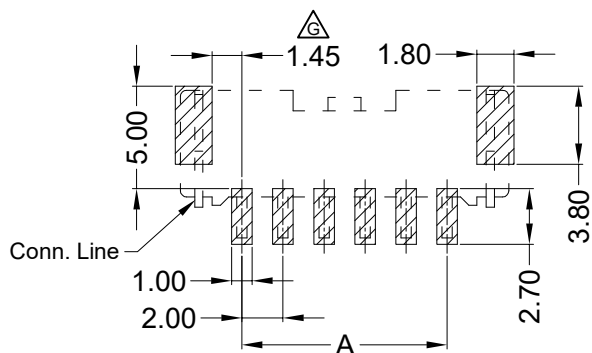


■ Specifications :

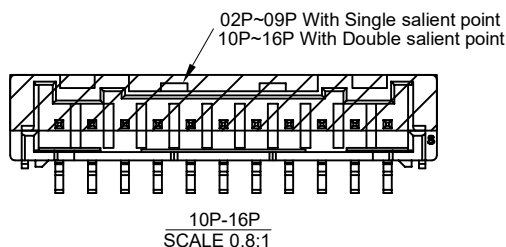
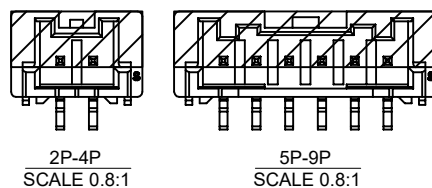
- Voltage rating: 250V AC / DC
- Current rating: 3A AC / DC
- Withstanding voltage: 800V AC/minute
- Temperature range: -40°C~+105°C
- Insulation resistance: ≥1000MΩ
- Contact resistance: ≤10mΩ
- After environmental testing: ≤20mΩ
- Material(Pin): Brass
- Material(Solder Tabs): Brass
- Mates With HLB Housing: J2005H



- ① Series No.: J2005W
- ② Welding Board Angle: Stright 180°
- ③ Welding Way: SMT
- ④ Row No.-Pin No.: 02P~16P
- ⑤ Plug the Pin & Special No.
- ⑥ Material: PA9T 94V-0
- ⑦ Plating Category: Bright Tin ; Matte Tin
- ⑧ Color : Natural Color
- ⑨ Package: Reel ,With Mylar
Reel ,Without Mylar



Recommended P.C.B Layout
General Tolerance±0.05



Poles	Dimensions (mm)			Poles	Dimensions (mm)		
	A	B	C		A	B	C
02	2.00	8.00	4.50	10	18.00	24.00	20.50
03	4.00	10.00	6.50	11	20.00	26.00	22.50
04	6.00	12.00	8.50	12	22.00	28.00	24.50
05	8.00	14.00	10.50	13	24.00	30.00	26.50
06	10.00	16.00	12.50	14	26.00	32.00	28.50
07	12.00	18.00	14.50	15	28.00	34.00	30.50
08	14.00	20.00	16.50	16	30.00	36.00	32.50
09	16.00	22.00	18.50				

A	2018/05/31	G	H	ER20180531001	Modify the drawing frame format	Alan qin	Smark	GENERAL TOLERANCE .X ±0.30 .XX ±0.20 .XXX ±0.10 PROJECT 	东莞市翰皓精密电子有限公司 Dongguan HanHao Precision Electronics Co.,Ltd				PART NO.			
	2015/09/24	F	G		Modify Layout Size \triangle	Wuxiaotao	Jova Lau						J2005WVS-XX			
	2015/06/17	E	F		Modify Salient point	sylvia	Jova Lau						TITLE			
														2.00mm Crimp Style Connector		
	DATE	OLD REV	NEW REV	ECN	DESCRIPTION	CHECK	APPROVAL	PROJECT	Smark	Joshua	Alan qin	2018/05/31	UNIT	SCALE	NUMBER	REV
	1			2									MM	1 : 1	A-000	H