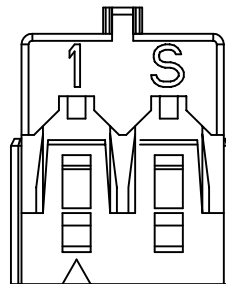


3~12Pin Shape



2Pin Shape

■ Specifications :

- Voltage rating: 30V AC / DC
- Current rating: 3.0A AC / DC
- Withstanding voltage: 500V AC/minute
- Temperature range: -25°C~+85°C
- Insulation resistance:≥100MΩ
- Contact resistance: ≤20mΩ
- After environmental testing: ≤40mΩ
- Suitable HLB Terminal:M1302T
- Suitable HLB Wafer:M1302WRS

- ① Series No.:M1302H
- ② Welding Board Angle: ordinary
- ③ Row No.-Pin No.: 1x2~1x12P
- ④ Material: PA66 94V-0
- ⑤ Color: natural color
- ⑥ Packag: Bag
- ⑦ Green code: Halogen Free
- ⑧ Water code:01
- ⑨ F-Other Connectors

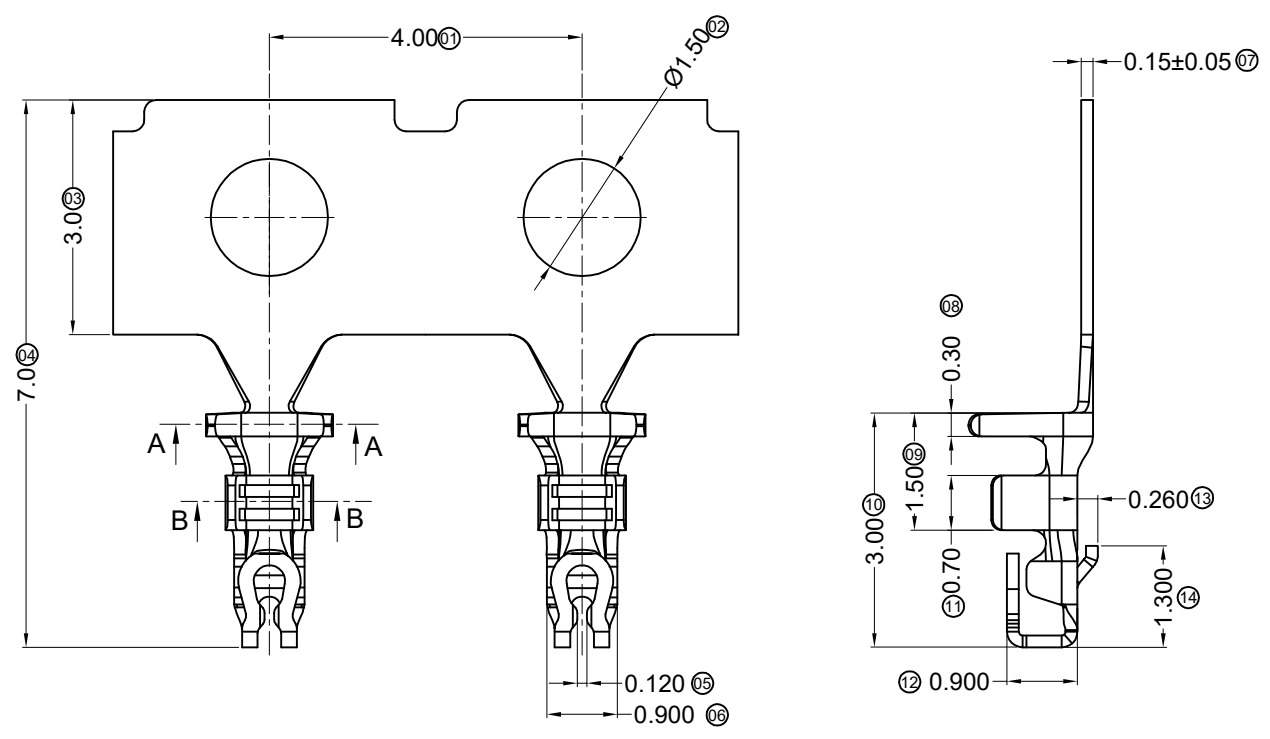
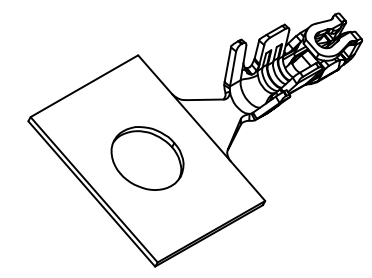
Poles	Dimensions(mm)		
	A	B	C
1x02	3.15	2.85	1.30
1x03	4.45	4.15	2.60
1x04	5.75	5.45	3.90
1x05	7.05	6.75	5.20
1x06	8.35	8.05	6.50
1x07	9.65	9.35	7.80
1x08	10.95	10.65	9.10
1x09	12.25	11.95	10.40
1x10	13.55	13.25	11.70
1x11	14.85	14.55	13.00
1x12	16.15	15.85	14.30

								GENERAL TOLERANCE .X ±0.30 .XX ±0.20 .XXX ±0.10				东莞市翰皓精密电子有限公司 Dongguan HanHao Precision Electronics Co.,Ltd				PART NO. M1302H-1xXX															
								APPROVAL Smark				CHECK Joshua				DRAWN Yu wei				DATA 2018/07/10											
								PROJECT 				TITLE 1.30 mm Crimp Style Connectors				UNIT MM				SCALE 1:1				NUMBER A-022				REV A			
DATE	OLD REV	NEW REV	ECN	DESCRIPTION	CHECK	APPROVAL	PROJECT	Smark	Joshua	Yu wei	2018/07/10	UNIT	SCALE	NUMBER	REV																
1				2				3				4	5	6	7	8															

Specifications :

- Voltage rating: 30V AC / DC
- Current rating: 3.0A AC / DC
- Withstanding voltage: 500V AC/minute
- Temperature range: -25°C~+85°C
- Insulation resistance: ≥100MΩ
- Contact resistance: ≤20mΩ
- After environmental testing: ≤40mΩ
- Wire Range: AWG#26~28
- Insulation O.D: 0.98mm (Max)
- Used In HLB Housing: M1300H

- ① Series Number: M1300T
- ② Shape: ordinary
- ③ Appearance encoding: Ordinary
- ④ Material: High conductivity copper
- ⑤ Plating style: Whole Gold : Gold Flash
- ⑥ Plating method: Stamping before plating
- ⑦ Special No: Normal Leads
- ⑧ Water code: 01
- ⑨ F-Other Connectors



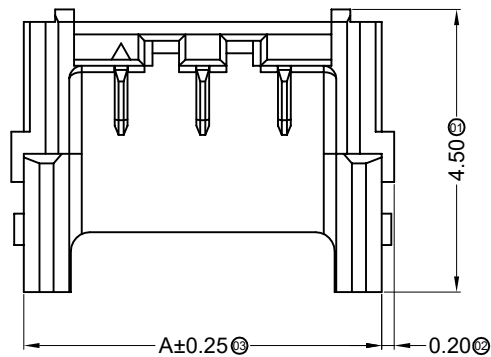
SECTION A-A
SCALE 1:1

SECTION B-B
SCALE 1:1

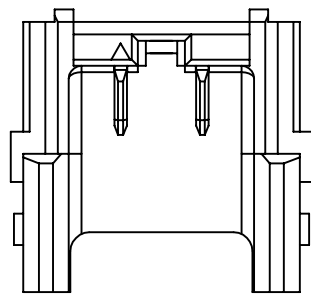
							GENERAL TOLERANCE X ±0.30 .XX ±0.20 .XXX ±0.10				东莞市翰皓精密电子有限公司 Dongguan HanHao Precision Electronics Co.,Ltd				PART NO. M1300T			
							APPROVAL Smark CHECK Joshua DRAWN Jason DATA 2018/09/27				TITLE 1.30 mm Crimp Style Connectors							
2018/12/13	A	B	EN20181213001	按客户要求修改PIN针材质为高导电铜	Joshua	Smark	PROJECT 				UNIT	SCALE	NUMBER	REV				
DATE	OLD REV	NEW REV	ECN	DESCRIPTION	CHECK	APPROVAL					MM	1:1	A-295	B				

F
E
D
C
B
A

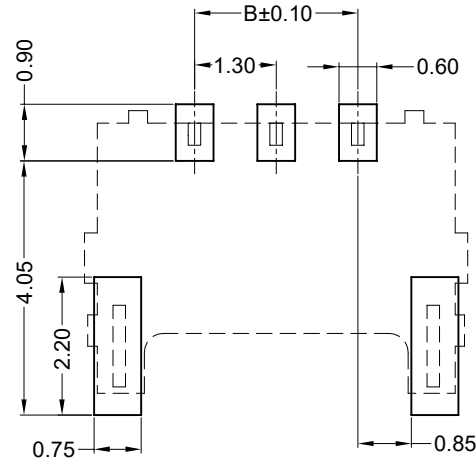
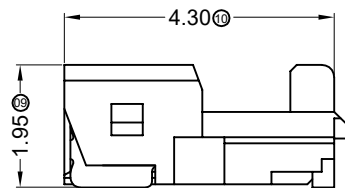
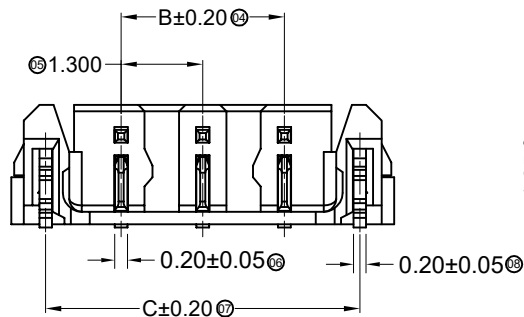
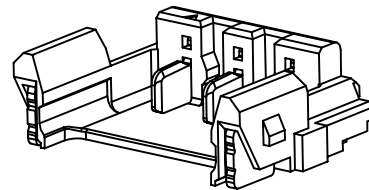
F
E
D
C
B
A



3~12Pin Shape



2Pin Shape



Recommended P.C.B Layout
General Tolerance±0.05

■ Specifications :

- Voltage rating: 30V AC / DC
- Current rating: 3.0A AC / DC
- Withstanding voltage: 500V AC/minute
- Temperature range: -25°C~+85°C
- Insulation resistance: ≥100MΩ
- Contact resistance: ≤20mΩ
- After environmental testing: ≤40mΩ
- Mates With HLB Housing:M1300H

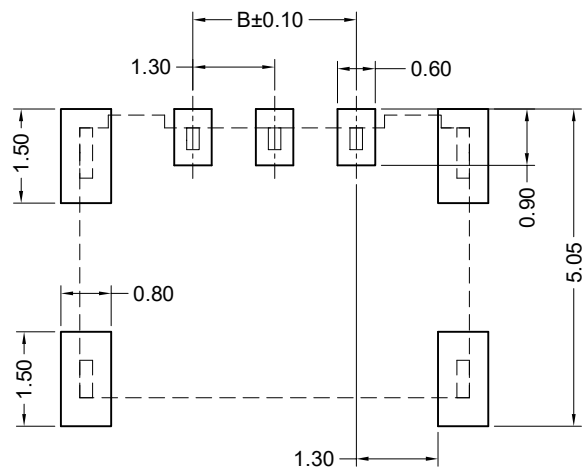
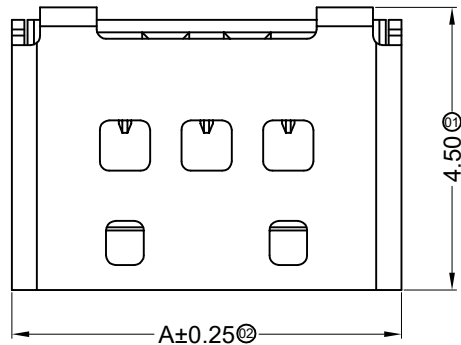
- ① Series No.:M1300W
- ② Welding Board Angle: Right Angle 90°
- ③ Welding Way: SMT
- ④ Row No.-Pin No.: 1x02~1x12P
- ⑤ Plastic material : PA4T 94V-0 ;
- ⑥ Color : Black; Natural
- ⑦ Metal material:High conductivity copper
- ⑧ Planting Category: All Gold Flash
- ⑨ Packag: Reel
- ⑩ Green code: Halogen-Free
- ⑪ Water code:001
- ⑫ F-Other Connectors

Poles	Dimensions (mm)		
	A	B	C
1x02	4.40	1.30	3.70
1x03	5.70	2.60	5.00
1x04	7.00	3.90	6.30
1x05	8.30	5.20	7.60
1x06	9.60	6.50	8.90
1x07	10.90	7.80	10.20
1x08	12.20	9.10	11.50
1x09	13.50	10.40	12.80
1x10	14.80	11.70	14.10
1x11	16.10	13.00	15.40
1x12	17.40	14.30	16.70

							GENERAL TOLERANCE X ±0.30 .XX ±0.20 .XXX ±0.10				东莞市翰皓精密电子有限公司 Dongguan HanHao Precision Electronics Co.,Ltd				PART NO. M1300WRS-1xXX			
2019/07/18		B	C	ER20190718004	Optimize product, update drawing.	HAILI.WANG	ROBING					TITLE 1.30 mm Crimp Style Connectors						
2018/12/13		A	B	EN20181213001	Optimize product, change the pin material to high conductivity copper	Joshua	Smark											
DATE	OLD REV	NEW REV	ECN	DESCRIPTION	CHECK	APPROVAL	PROJECT	APPROVAL	CHECK	DRAWN	DATA	UNIT	SCALE	NUMBER	REV			
1			2				PROJECT	Smark	Joshua	Jason	2018/09/27	MM	1 : 1	A-000	C			

1 2 3 4 5 6 7 8

F
E
D
C
B
A

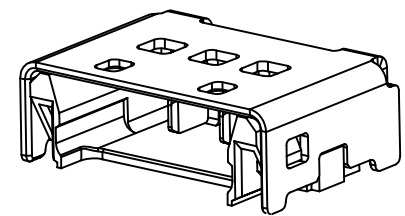
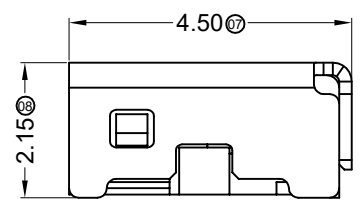
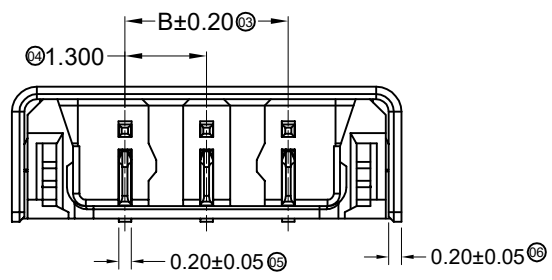


Recommended P.C.B Layout
General Tolerance±0.05

■ Specifications :

- Voltage rating: 30V AC / DC
- Current rating: 3.0A AC / DC
- Withstanding voltage: 500V AC/minute
- Temperature range: -25°C~+85°C
- Insulation resistance: ≥100MΩ
- Contact resistance: ≤20mΩ
- After environmental testing: ≤40mΩ
- Mates With HLB Housing: M1302H

- ① Series No.: M1302W
- ② Welding Board Angle: Right Angle 90°
- ③ Welding Way: SMT
- ④ Row No.-Pin No.: 1xXX-1x02~1x12P
- ⑤ Plastic material: PA4T 94V-0;
- ⑥ Color: Black; Natural
- ⑦ Metal material: High conductivity copper
- ⑧ Planting Category: All Gold Flash
- ⑨ Packag: Reel
- ⑩ Green code: Halogen-Free
- ⑪ Water code: 001
- ⑫ F-Other Connectors



Poles	Dimensions (mm)	
	A	B
1x02	4.90	1.30
1x03	6.20	2.60
1x04	7.50	3.90
1x05	8.80	5.20
1x06	10.10	6.50
1x07	11.40	7.80
1x08	12.70	9.10
1x09	14.00	10.40
1x10	15.30	11.70
1x11	16.60	13.00
1x12	17.90	14.30

DATE	OLD REV	NEW REV	ECN	DESCRIPTION	CHECK	APPROVAL
1						
2						
3						
4						

GENERAL TOLERANCE	
X	±0.30
.XX	±0.20
.XXX	±0.10

东莞市翰皓精密电子有限公司 Dongguan HanHao Precision Electronics Co.,Ltd			
APPROVAL	CHECK	DRAWN	DATA
Smark	Joshua	Yu wei	2018/07/11

PART NO.			
M1302WRST-1xXX			
TITLE			
1.30 mm Crimp Style Connectors			
UNIT	SCALE	NUMBER	REV
MM	1:1	A-000	A

F
E
D
C
B
A

1 2 3 4 5 6 7 8