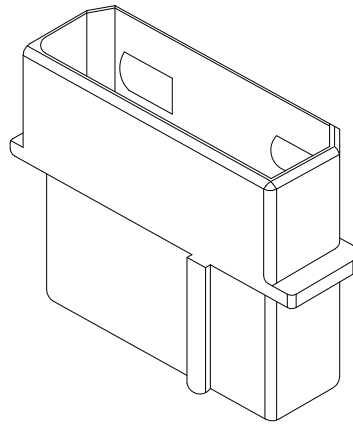
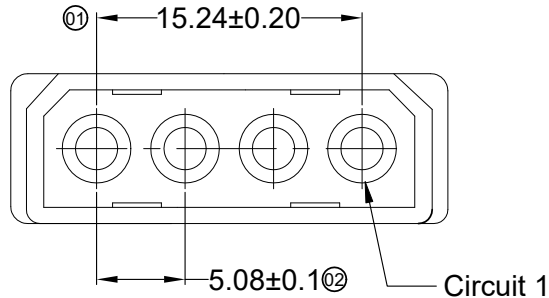


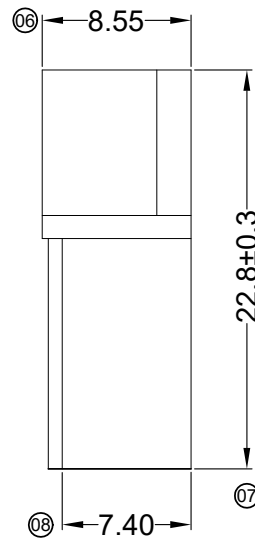
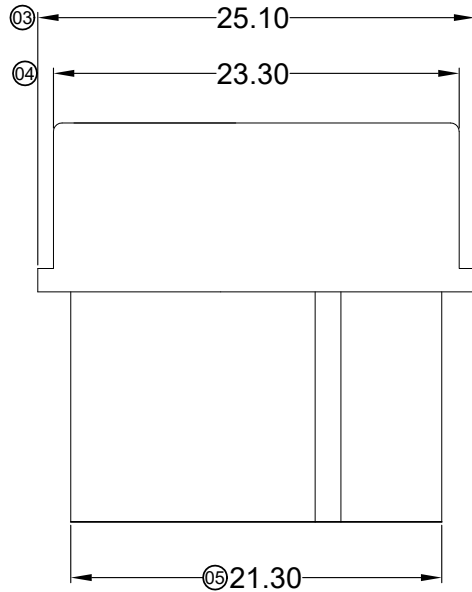
RoHS

This products can apply to the HHB Doc NO. QA-3-04-005 of Environmental&Material Management Rules



■ Specifications :

- Voltage rating: 250V AC / DC
- Current rating: 10A AC / DC
- Withstanding voltage: 1500V AC/minute
- Temperature range: -25°C~+85°C
- Insulation resistance: ≥1000MΩ
- Contact resistance: ≤10mΩ
- After environmental testing: ≤20mΩ



A5081FH-04-N0	Nylon 66 UL 94V-0	A5081MT	A5081W A5081MH	
A5081FH-04-N2	Nylon 66 UL 94V-2			
PART NO	Material	Suitable HHB Terminal	Mates With HHB Wafer Or Housing	

2015/06/08	E		Modify the overall size	sylvia	
2015/05/06	D		Modify the drawing frame format	Feng Ping	Bob Sun
2013/12/25	C		Modify the drawing frame format	sylvia	
DATE	REV	ECN NO	DESCRIPTION	MODIFY	APPROVAL

GENERAL TOLERANCE	
.X	±0.30
.XX	±0.20
.XXX	±0.10
X°	±2°
PROJECT	

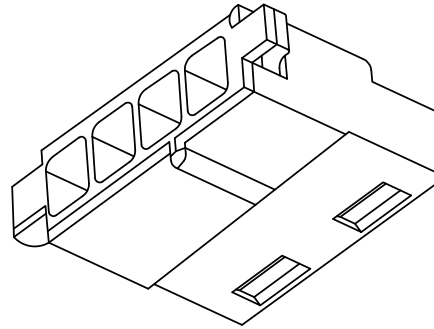
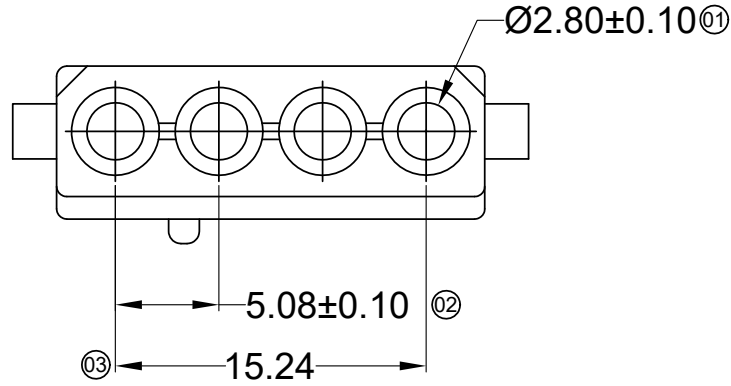
东莞市翰皓精密电子有限公司			
DONGGUAN HANHAO PRECISION ELECTRONIC CO.,LTD			
APPROVAL	CHECK	DRAWN	DATE
Kim Huang	Jova Lau	yan.Liu	2007.05.03

PART NO.				
A5081FH-04				
TITLE				
5.08mm Crimp Style Connectors				
UNIT	SCALE	SHEET	REV	NUMBER
mm	1:1	1/1	E	A-007



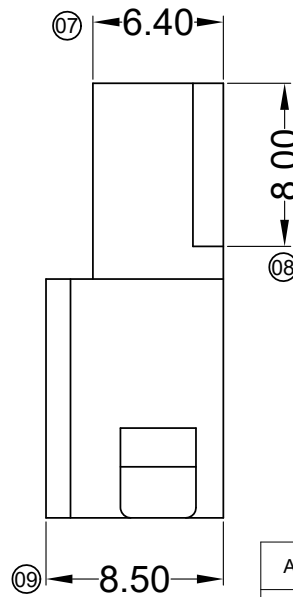
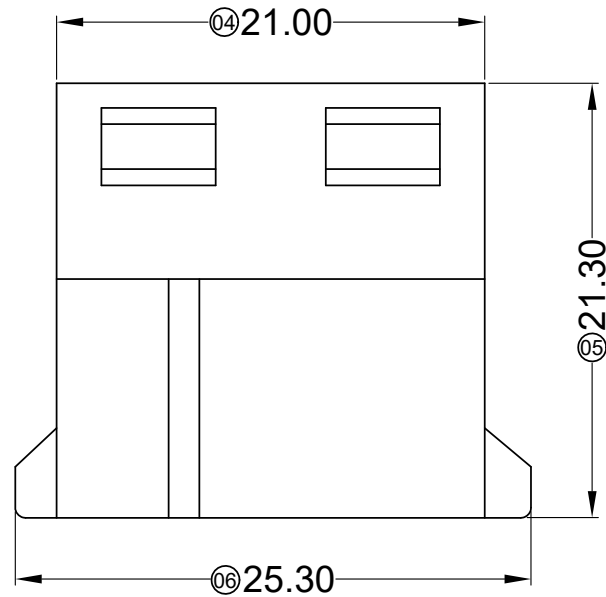
RoHS

This products can apply to the HHB Doc NO. QA-3-04-005 of Environmental&Material Management Rules



■ Specifications :

- Voltage rating: 250V AC / DC
- Current rating: 10A AC / DC
- Withstanding voltage: 1500V AC/minute
- Temperature range: -25°C~+85°C
- Insulation resistance: ≥1000MΩ
- Contact resistance: ≤10mΩ
- After environmental testing: ≤20mΩ

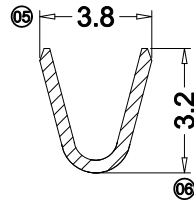
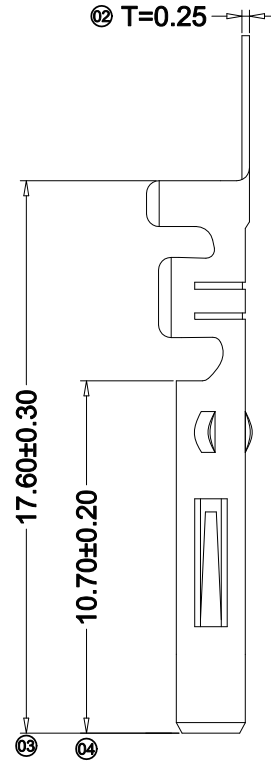
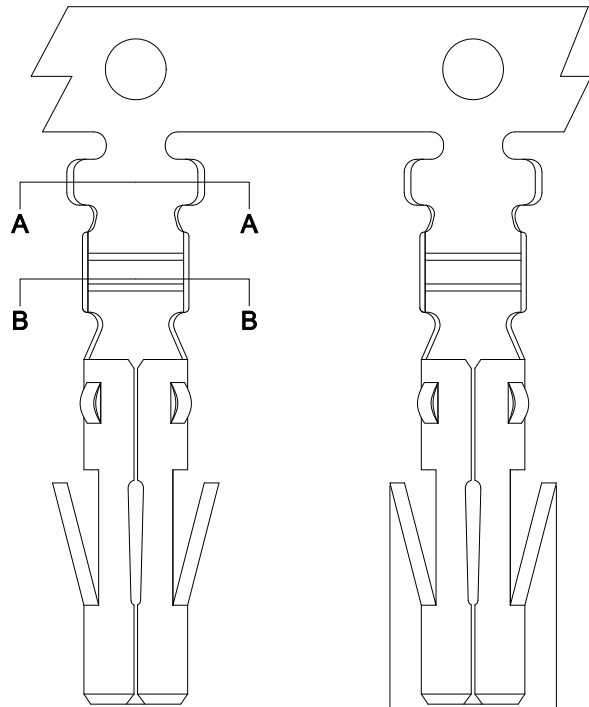


A5081MH-04	Nylon 66 UL 94V-2	A5081FT	A5081W A5081FH-04
PART NO	Material	Suitable HHB Terminal	Mates With HHB Wafer Or Housing

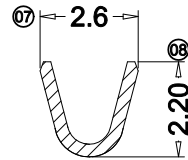
2015/07/01	E		Modify the SIZE	sylvia		GENERAL TOLERANCE .X ±0.30 .XX ±0.20 .XXX ±0.10 X° ±2°	东莞市翰皓精密电子有限公司 DONGGUAN HANHAO PRECISION ELECTRONIC CO.,LTD				PART NO. A5081MH-04									
2015/05/06	D		Modify the drawing frame format	Feng Ping	Bob Sun						APPROVAL				TITLE 5.08mm Crimp Style Connectors					
2013/12/25	C		Modify the drawing frame format	sylvia			PROJECT				Kim Huang	Jova Lau	yan.Liu	2007.05.03	UNIT mm		SCALE 1:1	SHEET 1/1	REV E	NUMBER A-007
DATE	REV	ECN NO	DESCRIPTION	MODIFY	APPROVAL		PROJECT				Kim Huang	Jova Lau	yan.Liu	2007.05.03	UNIT mm		SCALE 1:1	SHEET 1/1	REV E	NUMBER A-007

RoHS

This products can apply to the HHB Doc NO. QA-3-04-005 of Environmental&Material Management Rules



SECTION A-A  
SCALE 1:1



SECTION B-B  
SCALE 1:1

Specifications :

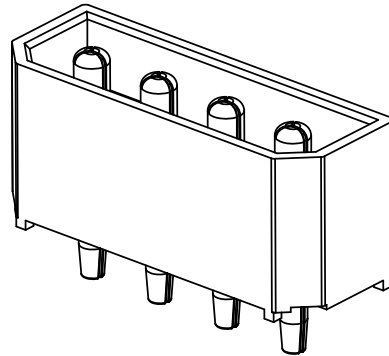
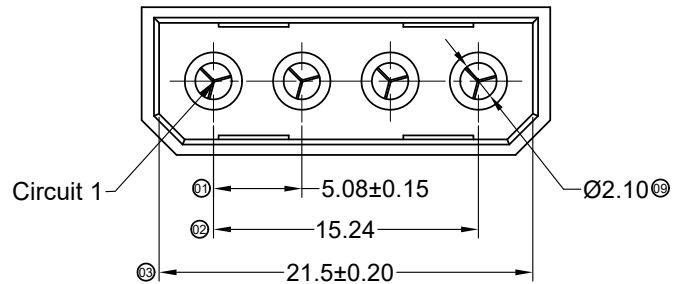
- Voltage rating: 250V AC / DC
- Current rating: 10A AC / DC
- Withstanding voltage: 1500V AC/minute
- Temperature range: -25°C~+85°C
- Insulation resistance: ≥1000MΩ
- Contact resistance: ≤10mΩ
- After environmental testing: ≤20mΩ

A5081MT	Brass	AWG#18-20	2.50mm(Max)	Plating Before Stamping:10u" Min Ni;30u" Min Sn	A5081FH-04
				Stamping Before Plating:30u" Ni Min;70u"Sn Min	
PART NO	Material	Wire Range	Insulation O.D.	Finish	Used In SWB Housing

				GENERAL TOLERANCE		<b>东莞市翰皓精密电子有限公司</b> DONGGUAN HANHAO PRECISION ELECTRONIC CO.,LTD				PART NO. A5081MT					
2015/05/06	D	Modify the drawing frame format		Feng Ping	Bob Sun					.X ±0.30	APPROVAL				TITLE 5.08mm Crimp Style Connectors
2014/01/11	C	1.Modify the drawing frame format 2.Add $\Delta$ Part No		Yangmei		.XX ±0.20	Kim Huang	Jova Lau	Yan.Liu	2007.05.03	UNIT	SCALE	SHEET	REV	NUMBER
DATE	REV	ECN NO	DESCRIPTION	MODIFY	APPROVAL	X° ±2°	PROJECT				mm	1:1	1/1	D	A-007

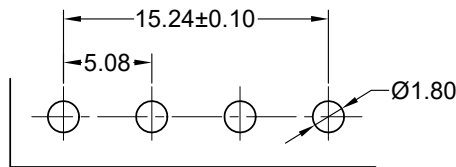
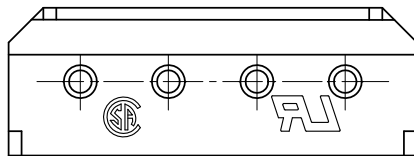
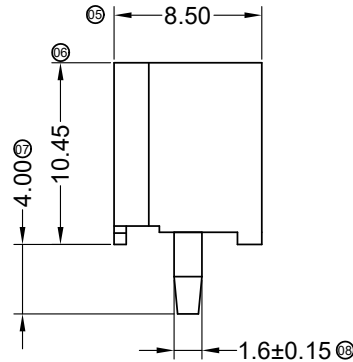
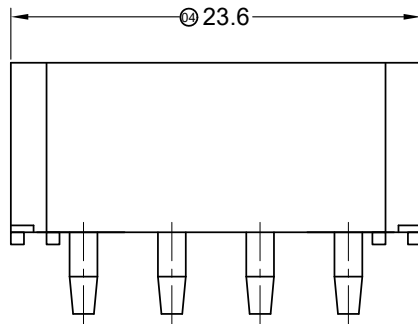
RoHS

This products can apply to the HHB Doc NO. QA-3-04-005 of Environmental&Material Management Rules



■ Specifications :

- Voltage rating: 250V AC / DC
- Current rating: 10A AC / DC
- Withstanding voltage: 1500V AC/minute
- Temperature range: -25°C~+85°C
- Insulation resistance: ≥1000MΩ
- Contact resistance: ≤10mΩ
- After environmental testing: ≤20mΩ
- Material(Pin): Brass
- Mates With HHB Housing: A5081H



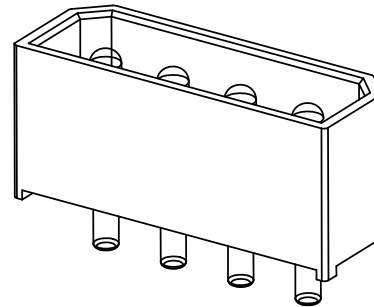
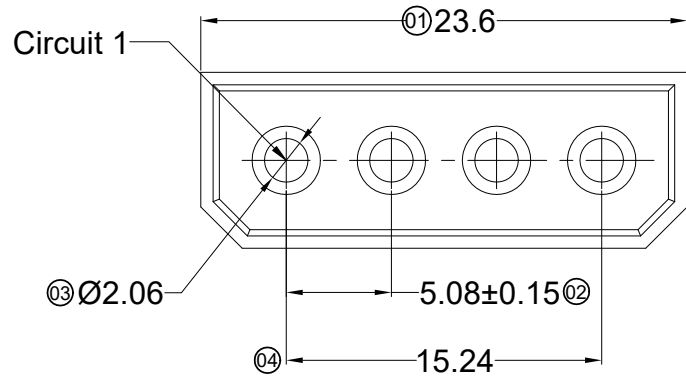
Recommended P.C.B Layout  
General Tolerance±0.05

2019/09/02	G	EN20190902003	Add bottom view	Mandy	Robing	GENERAL TOLERANCE .X ±0.30 .XX ±0.20 .XXX ±0.10 X° ±2° PROJECT 	东莞市翰皓精密电子有限公司 DONGGUAN HANHAO PRECISION ELECTRONIC CO.,LTD				PART NO. A5082W-04				
2015/05/07	F		Modify the drawing frame format	Feng Ping	Bob Sun						APPROVAL				TITLE 5.08mm Crimp Style Connectors
2015/01/05	E		Modify the drawing frame format	Jova	Bob Sun		Bob	Jova	yan.Liu	2007/05/03	UNIT	SCALE	SHEET	REV	NUMBER
DATE	REV	ECN NO	DESCRIPTION	MODIFY	APPROVAL						mm	1:1	1/1	A	A-007



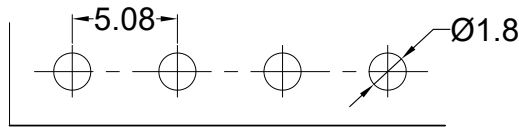
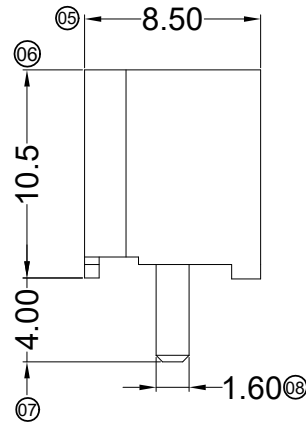
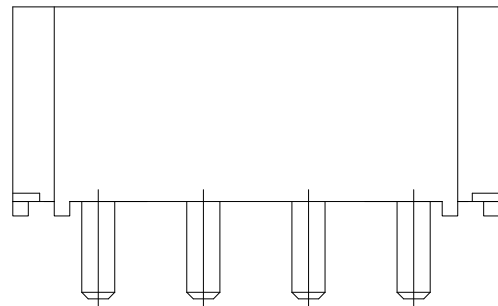
RoHS

This products can apply to the HHB Doc NO. QA-3-04-005 of Environmental&Material Management Rules



■ Specifications :

- Voltage rating: 250V AC / DC
- Current rating: 10A AC / DC
- Withstanding voltage: 1500V AC/minute
- Temperature range: -25°C~+85°C
- Insulation resistance: ≥1000MΩ
- Contact resistance: ≤10mΩ
- After environmental testing: ≤20mΩ



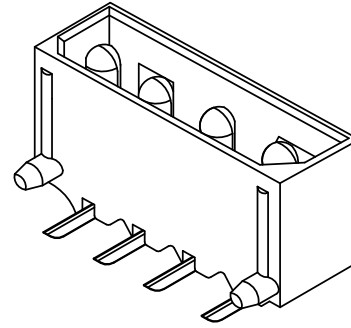
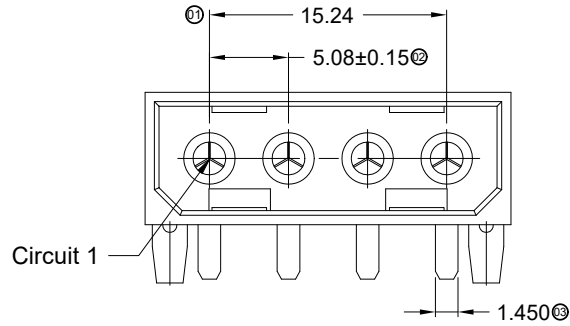
Recommended P.C.B Layout  
General Tolerance±0.05

A5082WEG-04	Nylon 66 UL 94V-2	Brass	Gold-Flash	A5081H
A5082WE-04	Nylon 66 UL 94V-2	Brass	Tin-Plated	
PART NO	Material	Material(Pin)	Finish(Pin)	Mates With HHB Housing

					GENERAL TOLERANCE				<b>东莞市翰皓精密电子有限公司</b> DONGGUAN HANHAO PRECISION ELECTRONIC CO.,LTD PART NO. A5082WE-04 TITLE 5.08mm Crimp Style Connectors				
					.X ±0.30								
					.XX ±0.20				APPROVAL				
					.XXX ±0.10				CHECK				
					X° ±2°				DRAWN				
					PROJECT				DATE				
									Jova				
									W.X.T				
									yan.Liu				
									2007/05/03				
DATE		REV	ECN NO	DESCRIPTION		MODIFY	APPROVAL	UNIT	SCALE	SHEET	REV	NUMBER	
2015/05/07		D		Modify the drawing frame format		Feng Ping	Bob Sun	mm	1:1	1/1	D	A-116	
2014/04/18		C		Modify the drawing frame format		sylvia							

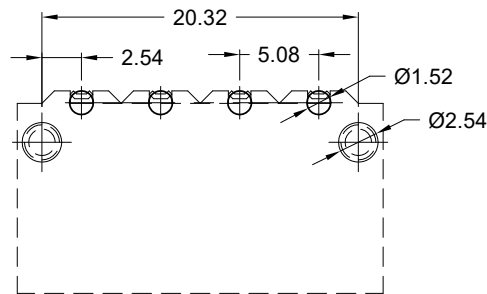
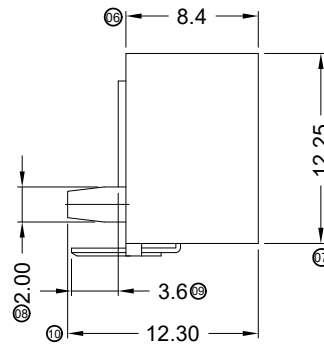
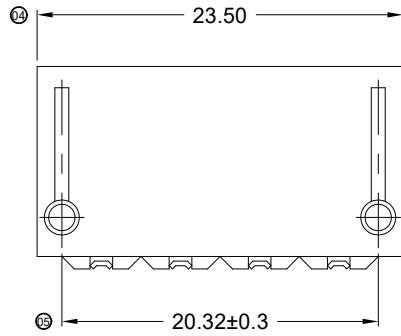
RoHS

This products can apply to the HHB Doc NO. QA-3-04-005 of Environmental&Material Management Rules



■ Specifications :

- Voltage rating: 250V AC / DC
- Current rating: 10A AC / DC
- Withstanding voltage: 1500V AC/minute
- Temperature range: -25°C~+85°C
- Insulation resistance: ≥1000MΩ
- Contact resistance: ≤10mΩ
- After environmental testing: ≤20mΩ



Recommended P.C.B Layout  
General Tolerance±0.05

A5082WR-04	Nylon 66 UL 94V-0	Brass	Tin-Plated	A5081H
A5082WR-04B	Nylon 66 UL 94V-2 Black			
A5082WR-04	Nylon 66 UL 94V-2			
PART NO	Material	Material(Pin)	Finish(Pin)	Mates With HHB Housing

2015/05/06	D		Modify the drawing frame format	Feng Ping	Bob Sun
2015/01/05	C		Modify the drawing frame format	Yangmei	
2011/09/08	B		Modify the drawing frame format	Yangmei	
DATE	REV	ECN NO	DESCRIPTION	MODIFY	APPROVAL

GENERAL TOLERANCE	
.X	±0.30
.XX	±0.20
.XXX	±0.10
X.°	±2°
PROJECT	

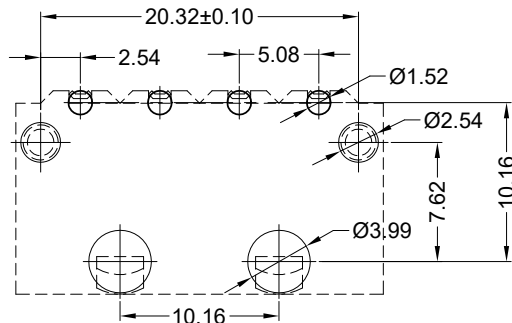
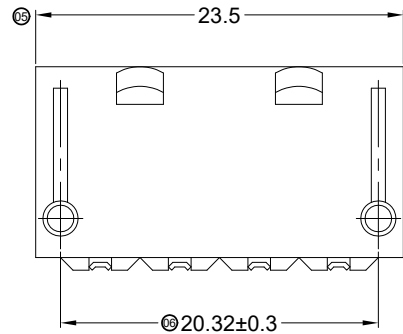
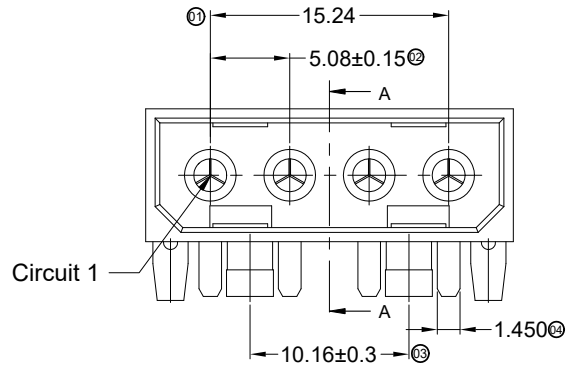
东莞市翰皓精密电子有限公司			
DONGGUAN HANHAO PRECISION ELECTRONIC CO.,LTD			
APPROVAL	CHECK	DRAWN	DATE
Bob	Jova	yan.Liu	2007/05/03

PART NO.				
A5082WR-04				
TITLE				
5.08mm Crimp Style Connectors				
UNIT	SCALE	SHEET	REV	NUMBER
mm	1:1	1/1	D	A-106

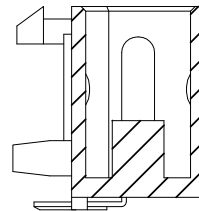
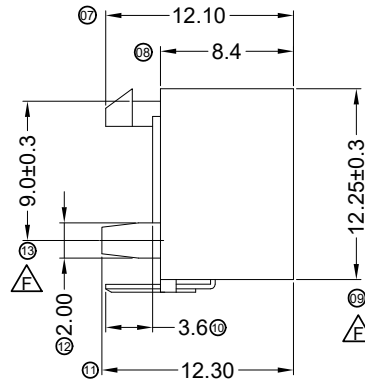
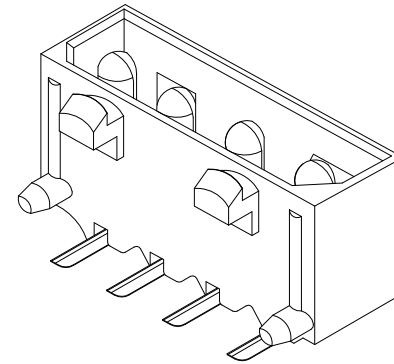


RoHS

This products can apply to the HHB Doc NO. QA-3-04-005 of Environmental&Material Management Rules



Recommended P.C.B Layout  
General Tolerance±0.05



SECTION: A-A  
SCALE: 1:1

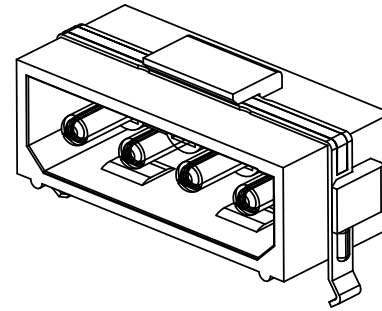
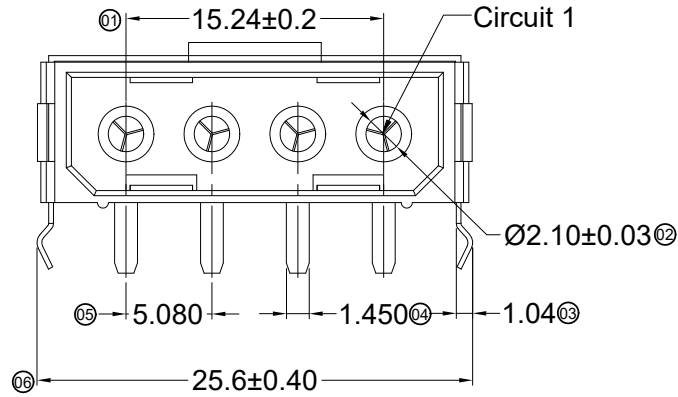
■ Specifications :

- Voltage rating: 250V AC / DC
- Current rating: 10A AC / DC
- Withstanding voltage: 1500V AC/minute
- Temperature range: -25°C~+85°C
- Insulation resistance:≥1000MΩ
- Contact resistance: ≤10mΩ
- After environmental testing: ≤20mΩ
- Material(Pin):Brass
- Mates With HHB Housing:A5081H

2015/05/18	F		Modify the tolerance	sylvia	Jacky	<b>东莞市翰皓精密电子有限公司</b> DONGGUAN HANHAO PRECISION ELECTRONIC CO.,LTD APPROVAL    CHECK    DRAWN    DATE Bob    Jova    yan.Liu    2007/05/03	PART NO. A5082WRB-04				
2015/01/05	E		Modify the drawing frame format	Jova	Jacky		TITLE 5.08mm Crimp Style Connectors				
2014/03/10	D		ADD UL94V-0 PART NO	Jova	Jacky		UNIT	SCALE	SHEET	REV	NUMBER
DATE	REV	ECN NO	DESCRIPTION	MODIFY	APPROVAL		mm	1:1	1/1	F	A-007

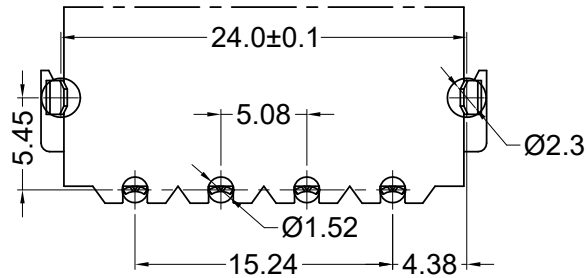
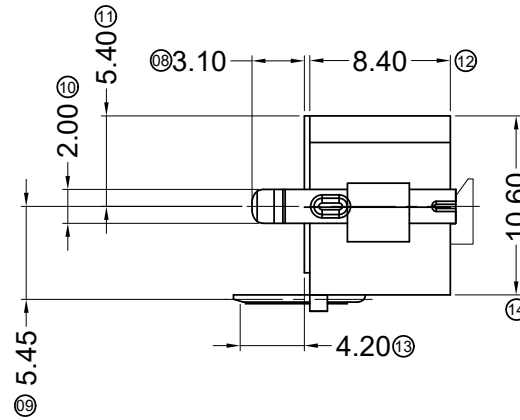
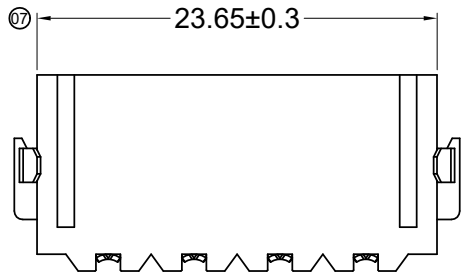
RoHS

This products can apply to the HHB Doc NO. QA-3-04-005 of Environmental&Material Management Rules



■ Specifications :

- Voltage rating: 250V AC / DC
- Current rating: 10A AC / DC
- Withstanding voltage: 1500V AC/minute
- Temperature range: -25°C~+85°C
- Insulation resistance: ≥1000MΩ
- Contact resistance: ≤10mΩ
- After environmental testing: ≤20mΩ



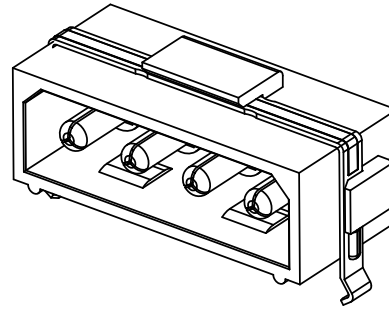
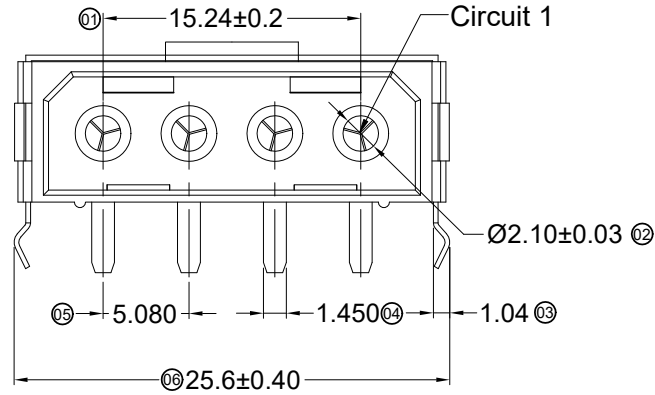
Recommended P.C.B Layout  
General Tolerance±0.05

A5082WRS-04	Nylon 66 UL 94V-2					
A5082WRS-04-9T	Nylon 9T UL 94V-0	Brass	Tin-Plated	Spcc	Tin-Plated	5050H
A5082WRS-04-6T	Nylon 6T UL 94V-0					
PART NO	Material	Material(Pin)	Finish(Pin)	Material (MetalBand)	Finish (MetalBand)	Mates With SWB Housing

2015/05/07	E		Modify the drawing frame format	Feng Ping	Bob Sun	<b>东莞市翰皓精密电子有限公司</b> DONGGUAN HANHAO PRECISION ELECTRONIC CO.,LTD APPROVAL: Jova, CHECK: W.X.T, DRAWN: yan.Liu, DATE: 2007.05.03	PART NO. A5082WRS-04				
2015/03/02	D		1.Modify the material Δ	W.X.T			TITLE 5.08mm Crimp Style Connectors				
2014/01/10	C		1.Modify the drawing frame format 2.Add ΔΔ size	sylvania			UNIT: mm, SCALE: 1:1, SHEET: 1/1, REV: E, NUMBER: A-185				
DATE	REV	ECN NO	DESCRIPTION	MODIFY	APPROVAL						

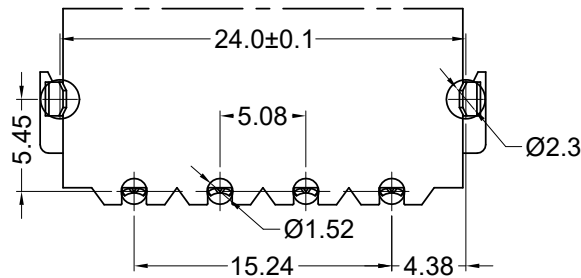
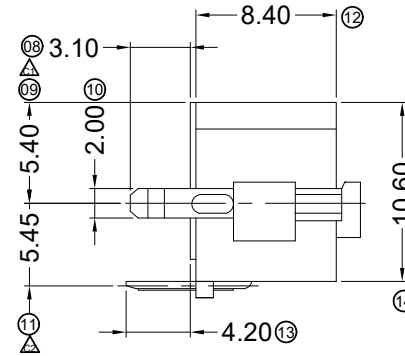
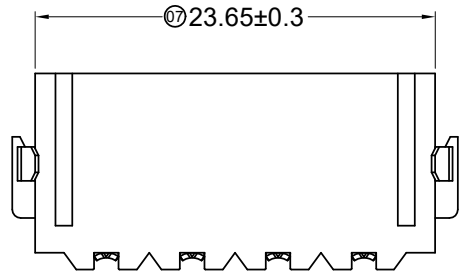
RoHS

This products can apply to the HHB Doc NO. QA-3-04-005 of Environmental&Material Management Rules



■ Specifications :

- Voltage rating: 250V AC / DC
- Current rating: 10A AC / DC
- Withstanding voltage: 1500V AC/minute
- Temperature range: -25°C~+85°C
- Insulation resistance: ≥1000MΩ
- Contact resistance: ≤10mΩ
- After environmental testing: ≤20mΩ



Recommended P.C.B Layout  
General Tolerance±0.05

A5082WRSF-04	Nylon 6T UL 94V-0	Brass	Tin-Plated	Brass	Tin-Plated	A5081H
PART NO	Material	Material(Pin)	Finish(Pin)	Material (MetalBand)	Finish (MetalBand)	Mates With HHB Housing

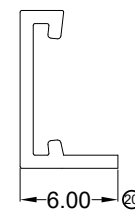
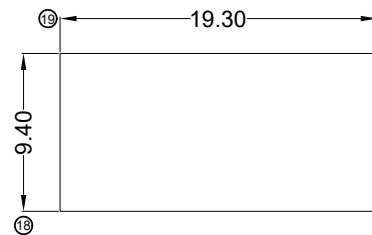
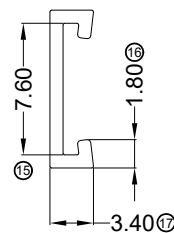
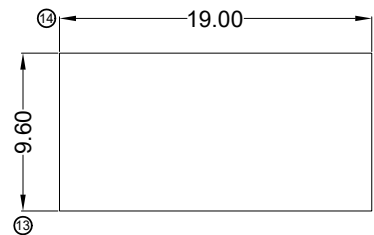
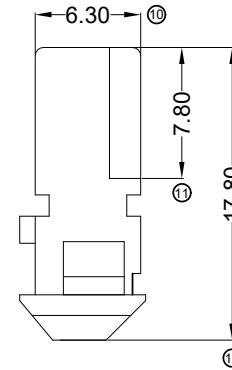
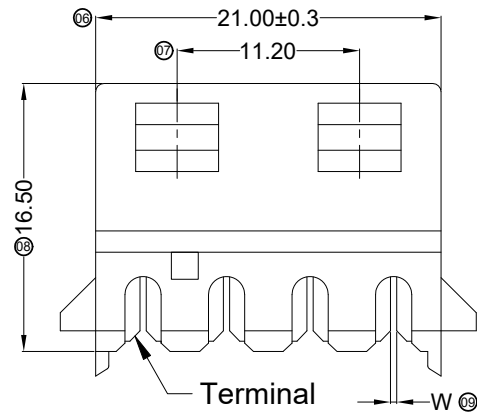
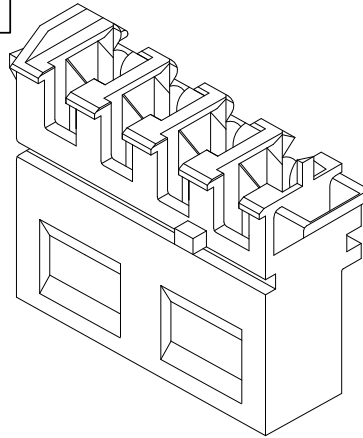
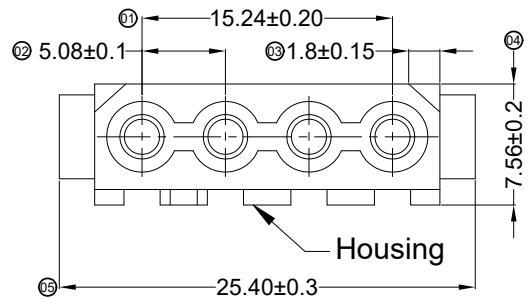
					<p>GENERAL TOLERANCE</p> <p>.X ±0.30</p> <p>.XX ±0.20</p> <p>.XXX ±0.10</p> <p>X° ±2°</p>				<p>东莞市翰皓精密电子有限公司</p> <p>DONGGUAN HANHAO PRECISION ELECTRONIC CO.,LTD</p>					<p>PART NO. A5082WRSF-04</p>															
2015/05/07	D		Modify the drawing frame format	Feng Ping	Bob Sun	APPROVAL				CHECK				DRAWN				DATE											
2014/01/10	C		1.Modify the drawing frame format 2.Add△size	sylvania		Jova				W.X.T				yan.Liu				2007.05.03											
DATE	REV	ECN NO	DESCRIPTION	MODIFY	APPROVAL	PROJECT				UNIT				SCALE				SHEET				REV				NUMBER			
						mm				1:1				1/1				D				A-106							

RoHS

This products can apply to the HHB Doc NO. QA-3-04-005 of Environmental&Material Management Rules

**Specifications :**

- Voltage rating: 250V AC / DC
- Current rating: 10A AC / DC
- Withstanding voltage: 1500V AC/minute
- Temperature range: -25°C~+85°C
- Insulation resistance:≥1000MΩ
- Contact resistance: ≤10mΩ
- After environmental testing: ≤20mΩ



5050CV-N2

A5083HCP-04	Nylon66 UL 94V-0	Brass	Tin-Plated	AWG#20-22,90° CAP	0.54
A5083HCP-04-N2	Nylon66 UL 94V-2			AWG#20-22,90° CAP	0.54
A5083HGR-04				AWG#18,90° CAP	0.58
A5083HGV-04				AWG#20-22,180° CAP	0.54
A5083HGV-04-N2				AWG#18,180° CAP	0.58
PART NO	Material	Material (Terminal)	Finish (Terminal)	Wire Range	W

DATE	REV	ECN NO	DESCRIPTION	MODIFY	APPROVAL	PROJECT
2015/05/06	D		Modify the drawing frame format	Feng Ping	Bob Sun	GENERAL TOLERANCE .X ±0.30 .XX ±0.20 .XXX ±0.10 X.° ±2°
2014/11/24	C		Change the Cap Size	sylvia		PROJECT

**东莞市翰皓精密电子有限公司**  
DONGGUAN HANHAO PRECISION ELECTRONIC CO.,LTD

APPROVAL: [Signature] CHECK: [Signature] DRAWN: Yan.Liu DATE: 2007.05.03

PART NO. A5083HCP-04				
TITLE 5.08mm Crimp Style Connectors				
UNIT	SCALE	SHEET	REV	NUMBER
mm	1:1	1/1	D	A-007