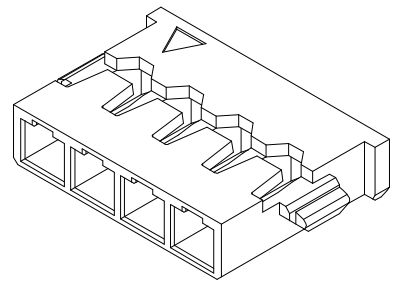
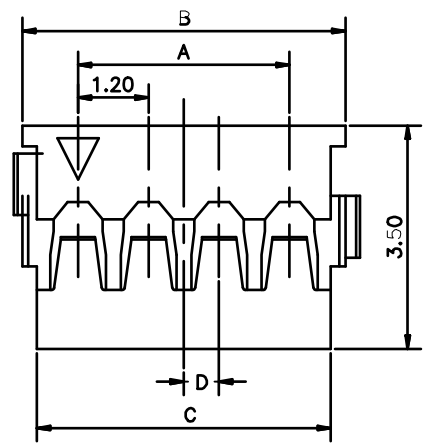


1 | 2 | 3 | 4 | 5 | 6 | 7 | 8

F
E
D
C
B
A

F
E
D
C
B
A

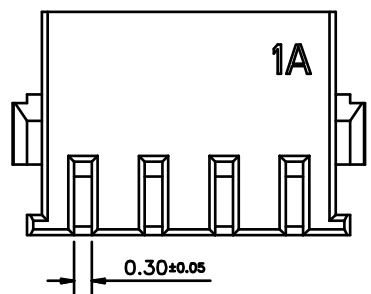
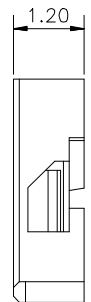
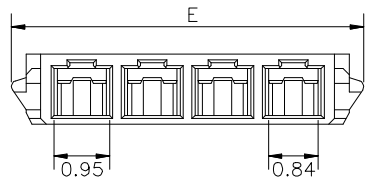


■ SPECIFICATIONS

- Voltage rating: 50V AC, DC
- Current rating: 2A, AC, DC
- Withstanding Voltage: 500V AC/minute
- Insulation resistance: 100MΩmin
- Temperature range: -25°C~+85°C
- Contact resistance: Intial value/20mΩmax
- After enviornment testing/20mΩmax

■ HOUSING

- Part No.: M1200H
- Poles: 02-15
- Material: PBT UL94V-0
- Color: Black
- Mates with HLB M1200WRS series Wafer
- Suitable HLB M1200T series Terminal
- Qty:1000pcs/bag



Poles	Part NO	Dimensions(mm)				
		A	B	C	D	E
2	M1200H-2	1.2	3.1	2.6	0.6	3.6
3	M1200H-3	2.4	4.3	3.8	1.2	4.8
4	M1200H-4	3.6	5.5	5.0	0.6	6.0
5	M1200H-5	4.8	6.7	6.2	1.2	7.2
6	M1200H-6	6.0	7.9	7.4	0.6	8.4
7	M1200H-7	7.2	9.1	8.6	1.2	9.6
8	M1200H-8	8.4	10.3	9.8	0.6	10.8
9	M1200H-9	9.6	11.5	11.0	1.2	12.0
10	M1200H-10	10.8	12.7	12.2	0.6	13.2
11	M1200H-11	12.0	13.9	13.4	1.2	14.4
12	M1200H-12	13.2	15.1	14.6	0.6	15.6
13	M1200H-13	14.4	16.3	15.8	1.2	16.8
14	M1200H-14	15.6	17.5	17.0	0.6	18.0
15	M1200H-15	16.8	18.7	18.2	1.2	19.2

2011/05/22	A	B		Modify frame format	Jova	Jova Lau		
DATE	OLD REV	NEW REV	ECN	DESCRIPTION	CHECK	APPROVAL		

GENERAL TOLERANCE
 X ±0.30
 XX ±0.20
 XXX ±0.10

东莞市翰皓精密电子有限公司
 Dongguan HanHao Precision Electronics Co.,Ltd

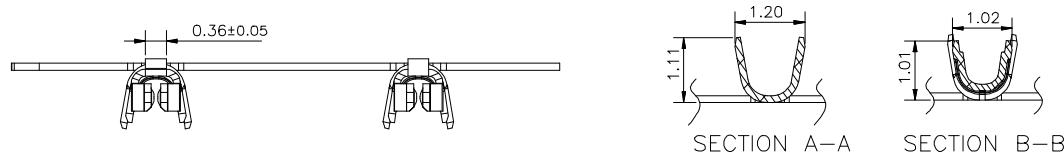
APPROVAL	CHECK	DRAWN	DATA
Smark	Yu wei	Liu Yan	2011/05/22

PART NO. M1200H-XX
 TITLE 1.0 mm Crimp Style Connectors

UNIT	SCALE	NUMBER	REV
mm	1:1	8	B

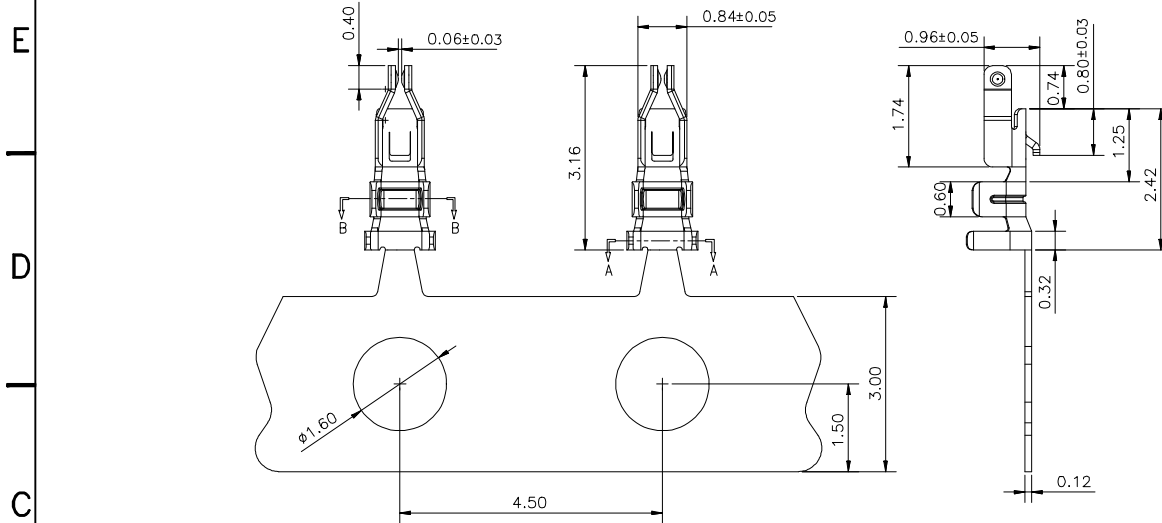
1 | 2 | 3 | 4 | 5 | 6 | 7 | 8

环保物料



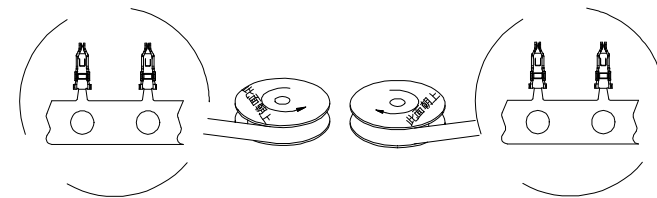
■ SPECIFICATIONS

- Voltage rating: 50V AC, DC
- Current rating: 2A, AC, DC
- Withstanding Voltage : 500V AC/minute
- Insulation Resistance : 100M Ωmin.
- Temperature Range : - 25 °C to + 85 °C
- Contact Resistance : 20m Ωmax.



■ TERMINAL

- Part No. : M1200T
- Applicable wires: AWG#28-30
- Material: Phosphor Bronze
- Finish : Gold Flash
- Used in HHB M1200H series Housing
- Q'ty: 10000 pcs/Reel



WIND OPERATION AFTER STAMPING AND BEFORE PLATING

WIND OPERATION AFTER PLATING AND BEFORE ASSEMBLY

					<p>一般公差 GENERAL TOLERANCE</p> <p>. I ±0.3</p> <p>. II ±0.2</p> <p>. III ±0.1</p>				<p>东莞市翰皓精密电子有限公司 Dongguan HanHao Precision Electronics Co.,Ltd</p>				<p>料号 PART NO M1200T</p>			
									<p>品名 TITLE 1.2 mm Crimp Style connectors</p>							
2011/05/14	A	B	修改图框格式						核准 APPD	审核 CHK	绘图 DR	日期 DATA				
日期 DATE	旧版次 OLD REV	新版次 NEW REV	变更内容 DESCRIPTION		审核 CHK	核准 APPD	角法 PROJECT		SUCCESS		对枪	2007/05/03	单位 UNIT MM	比例 SCALE 1/1	图号 NUMBER A-106	版次 REV B

1 | 2 | 3 | 4 | 5 | 6 | 7 | 8

F

F

E

E

D

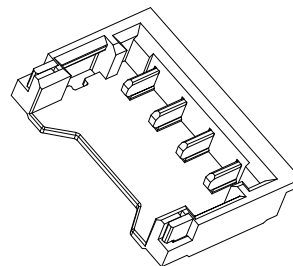
D

C

C

B

B

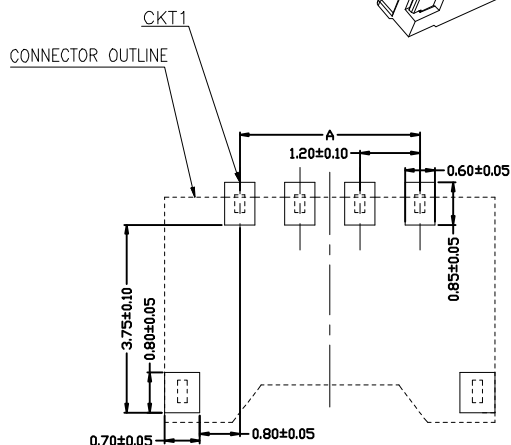


■ SPECIFICATIONS

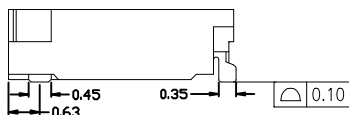
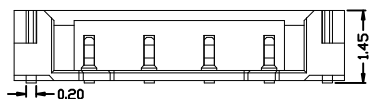
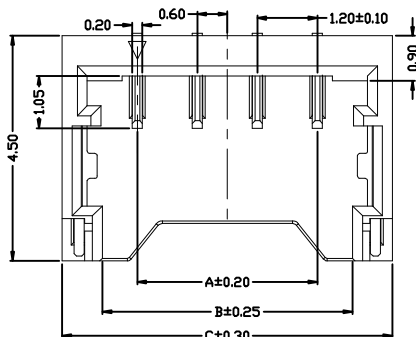
- Voltage rating: 50V AC, DC
- Current rating: 2A, AC, DC
- Withstanding Voltage: 500V AC/minute
- Insulation resistance: 100M Ω min
- Temperature range: -25°C~+85°C
- Contact resistance: 20m Ω max

■ WAFER

- Part No.: J1200WRS-XXP
- Poles: 2-15
- Material: Nylon 46 UL94V-0
- Color: Black
- Used in HHB J1200H series Housing
- Q'ty: 1000pcs/Reel



RECOMMENDED PCB LAYOUT
GENERAL TOLERANCE ± 0.05



CKT	A	B	C
2	1.2	2.6	4.2
3	2.4	3.8	5.4
4	3.6	5.0	6.6
5	4.8	6.2	7.8
6	6.0	7.4	9.0
7	7.2	8.6	10.2
8	8.4	9.8	11.4
9	9.6	11.0	12.6
10	10.8	12.2	13.8
11	12.0	13.4	15.0
12	13.2	14.6	16.2
13	14.4	15.8	17.4
14	15.6	17.0	18.6
15	16.8	18.2	19.8

A

A

							GENERAL TOLERANCE X ± 0.30 XX ± 0.20 XXX ± 0.10				东莞市翰皓精密电子有限公司 Dongguan HanHao Precision Electronics Co.,Ltd				PART NO. M1200W-XX							
											TITLE 1.2 mm Crimp Style Connectors											
							APPROVAL Smark		CHECK Yu wei		DRAWN Liu Yan		DATA 2011/05/22		UNIT mm		SCALE 1:1		NUMBER 8		REV B	
2011/05/22 DATE	A OLD REV	B NEW REV	ECN	Modify frame format DESCRIPTION	Jova CHECK	Jova Lau APPROVAL	PROJECT 															

1 | 2 | 3 | 4 | 5 | 6 | 7 | 8